

The Seakeeper 26

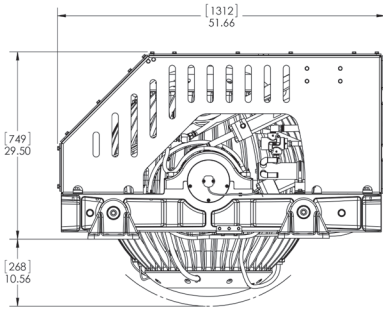
is designed to achieve up to 70 to 90% roll reduction on vessels up to 100 tons. Multiple units can be fitted for larger vessels. The Seakeeper 26 requires only modest electrical power, has no outside appendages, and can be installed off centerline, if necessary. Its computerized control and vacuum technology make it the first truly practical, and only modern, anti-roll gyro.



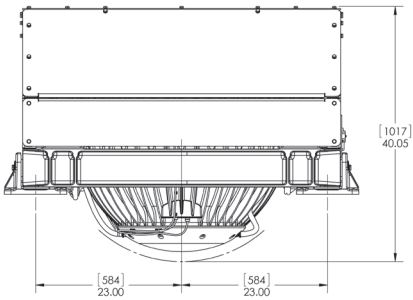
SPECIFICATIONS

Rated Speed	5,000 RPM
Angular Momentum at Rated RPM	26,000 N-M-S
Anti-Rolling Torque at Rated RPM	56,000 N-M
Spool-up Time to Rated RPM	50 minutes (5,000 RPM)
Spool-up Time to Stabilization	30 minutes (4,250 RPM)
Spool-up Power	
AC Motor:	5000 Watts Max
DC Control:	240 Watts
Operating Power	
AC Motor (sea state dependent):	1000-5000 Watts
DC Control:	240 Watts
AC Input Voltage:	208-230 VAC (+/- 10%), 50/60 Hz, Single Phase
DC Input Voltage:	24 VDC @ 10 Amps
Sea Water Supply to Heat Exchanger	30 LPM (8 GPM) maximum 15 LPM (4 GPM) minimum
Maximum Ambient Air Temperature	0°-60° C (32°-140° F)
Weight	1383 kg (3050 lbs)
Gyro Dimensions	Length x Width x Height 1.31 L x 1.42 W x 1.02 H (meters) 51.66 L x 55.9 W x 40 H (inches)
Noise Output	Steady state noise measured in the factory at a 1 meter distance measures 72-74 dBC.

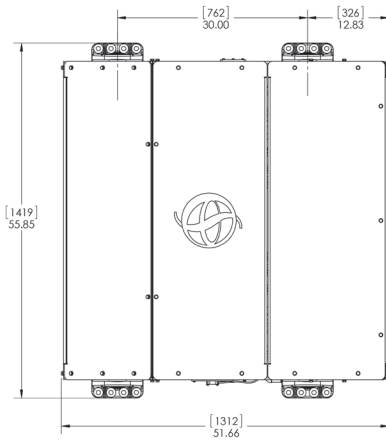
PORT VIEW



FRONT VIEW



TOP VIEW



SEAKEEPER®

Seakeeper Inc. 44425 Pecan Court, Suite 151, California, MD 20619 U.S.A.

Tel: 410.326.1590 Fax: 410.326.1199 seakeeper.com